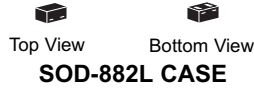




CFSH-4
SURFACE MOUNT
SILICON SCHOTTKY DIODE



MARKING CODE: L

APPLICATIONS:

- DC / DC Converters
- Voltage Clamping
- Protection Circuits
- Battery powered applications including Cell Phones, Digital Cameras, Pagers, PDAs, Laptop Computers, etc.

MAXIMUM RATINGS: ($T_A=25^\circ\text{C}$)

	SYMBOL		UNITS
Peak Repetitive Reverse Voltage	V_{RRM}	40	V
Average Forward Current	I_O	200	mA
Forward Surge Current, $t_p=8.3\text{ms}$	I_{FSM}	600	mA
Power Dissipation	P_D	100	mW
Operating and Storage			
Junction Temperature	T_J, T_{stg}	-65 to +125	$^\circ\text{C}$
Thermal Resistance	Θ_{JA}	1000	$^\circ\text{C/W}$

ELECTRICAL CHARACTERISTICS: ($T_A=25^\circ\text{C}$ unless otherwise noted)

SYMBOL	TEST CONDITIONS	MIN	TYP	MAX	UNITS
I_R	$V_R=30\text{V}$		25	200	nA
BV_R	$I_R=10\mu\text{A}$	40			V
V_F	$I_F=1.0\text{mA}$		0.35	0.38	V
V_F	$I_F=15\text{mA}$		0.55	0.65	V
V_F	$I_F=40\text{mA}$		0.77	1.00	V
C_T	$V_R=0\text{V}, f=1.0\text{MHz}$			5.0	pF
t_{rr}	$I_F=I_R=10\text{mA}, I_{rr}=1.0\text{mA}, R_L=100\Omega$			5.0	ns

CentralTM

Semiconductor Corp.

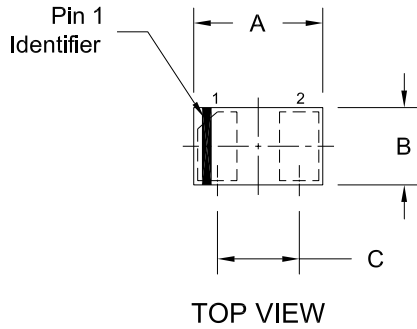
DESCRIPTION:

The Central Semiconductor Corp. CFSH-4 is a high quality Schottky Diode designed for applications where ultra small size and power dissipation are prime requirements. Packaged in a Tiny Leadless Package,TM TLPTM, this component provides performance characteristics suitable for the most demanding size constrained applications.

FEATURES:

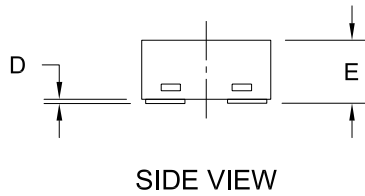
- Device is **Halogen Free** by design
- Current ($I_O=200\text{mA}$)
- Low Forward Voltage Drop ($V_F=0.35\text{V TYP @ } 1.0\text{mA}$)
- Low Reverse Current ($25\text{nA TYP @ } 30\text{V}$)
- Extremely Fast Switching (5ns Max)
- Small TLPTM, $1\text{mm} \times 0.6\text{mm} \times 0.4\text{mm}$, SOD-882L, ultra low profile, Leadless Surface Mount package.

SOD-882L CASE - MECHANICAL OUTLINE



SYMBOL	INCHES		MILLIMETERS	
	MIN	MAX	MIN	MAX
A	0.037	0.041	0.95	1.05
B	0.022	0.026	0.55	0.65
C	0.026		0.65	
D	0.000	0.002	0.00	0.05
E	0.012	0.016	0.30	0.40
F	0.018	0.022	0.45	0.55
G	0.008	0.012	0.20	0.30

SOD-882L (REV:R0)



LEAD CODE:

- 1) CATHODE
- 2) ANODE

MARKING CODE: L

